



# 864ST GS Blower Installation Instructions

(sku 99000164)

## Packing List

- Blower Assembly
- Wiring Harness
- Rheostat
- Snap Disc
- Rheostat Nut
- Rheostat Knob

## Installation

**WARNING:** Make sure power to the fireplace has been shut off prior to installation (disable the service breaker).  
Do not connect 110-120 VAC to the gas control valve or wiring system of this fireplace.

**HINT:** It is easier to install the blower prior to connecting the gas line. If using the Greensmart™ remote, install it after the blowers are in place.

- 1 Remove the concealment cover on both sides (see Figure 1).



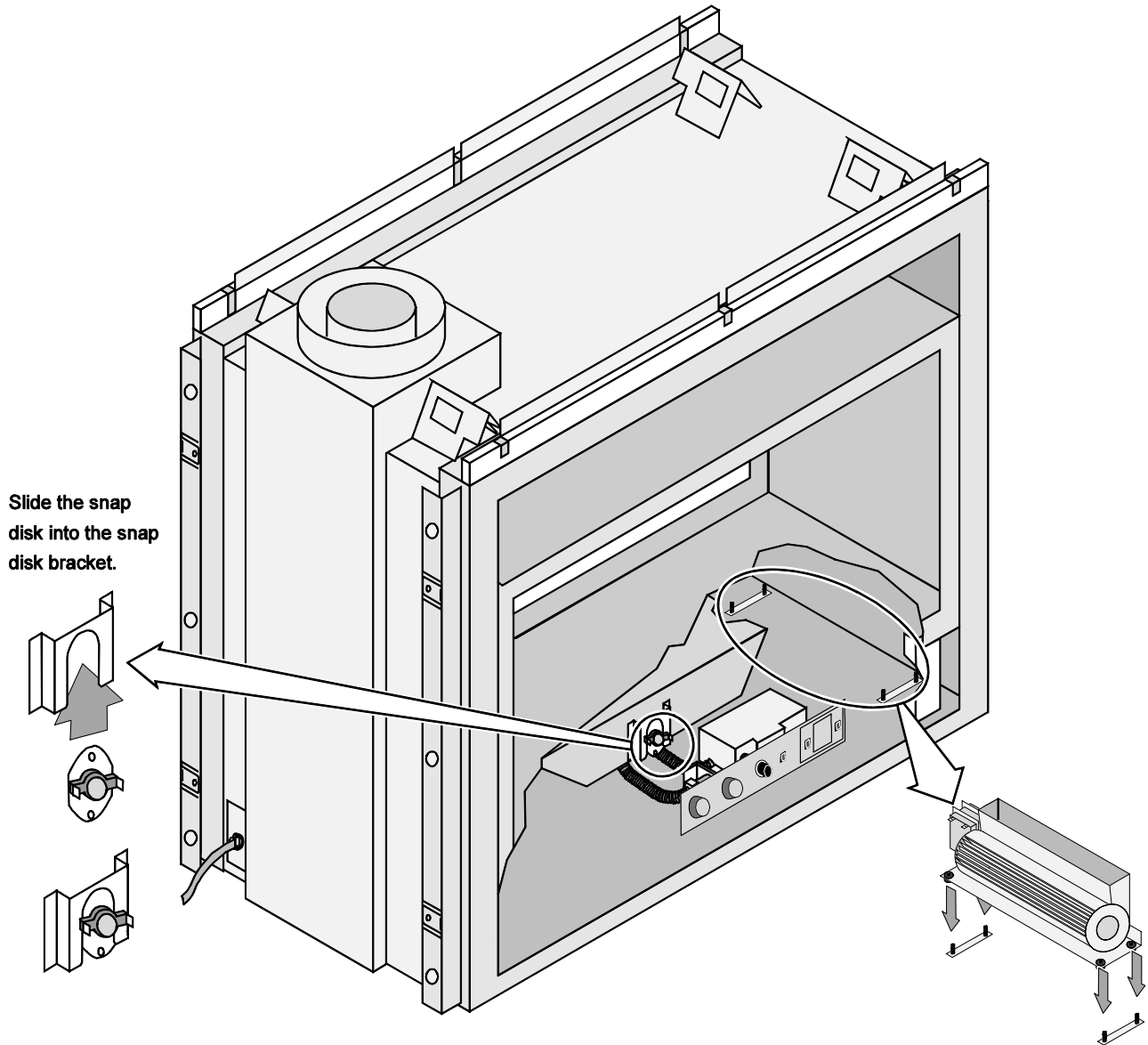
Figure 1



# 864ST GS Blower Installation Instructions

(sku 99000164)

- Slide the blower into place from the back and install it over the four studs on the base of the fireplace (see Figure 2). Slide the snap disk into the snap disk bracket.



Place the blower so the grommets on the blower base insert over the four studs on the base of the fireplace. Make sure all four grommets are properly located (this helps prevent vibrations).

**NOTE:** The blower is held in place by gravity. If transporting the fireplace after installing the blower, make sure it is properly located.

Figure 2



# 864ST GS Blower Installation Instructions

(sku 99000164)

- 3 Attach the power input to the fireplace junction box (see Figure 3 “a”). Attach the connectors labeled “BLOWER” to the blower (see Figure 3 “b”). Connect the wires labeled “SNAP DISC” to the snap disc (see Figure 3 “c”). Attach the rheostat wires (see Figure 3 “d”). Secure the rheostat to the control panel (see Figure 3 “e”). Make sure all wiring is away from hot or moving components – secure with wire ties if necessary.

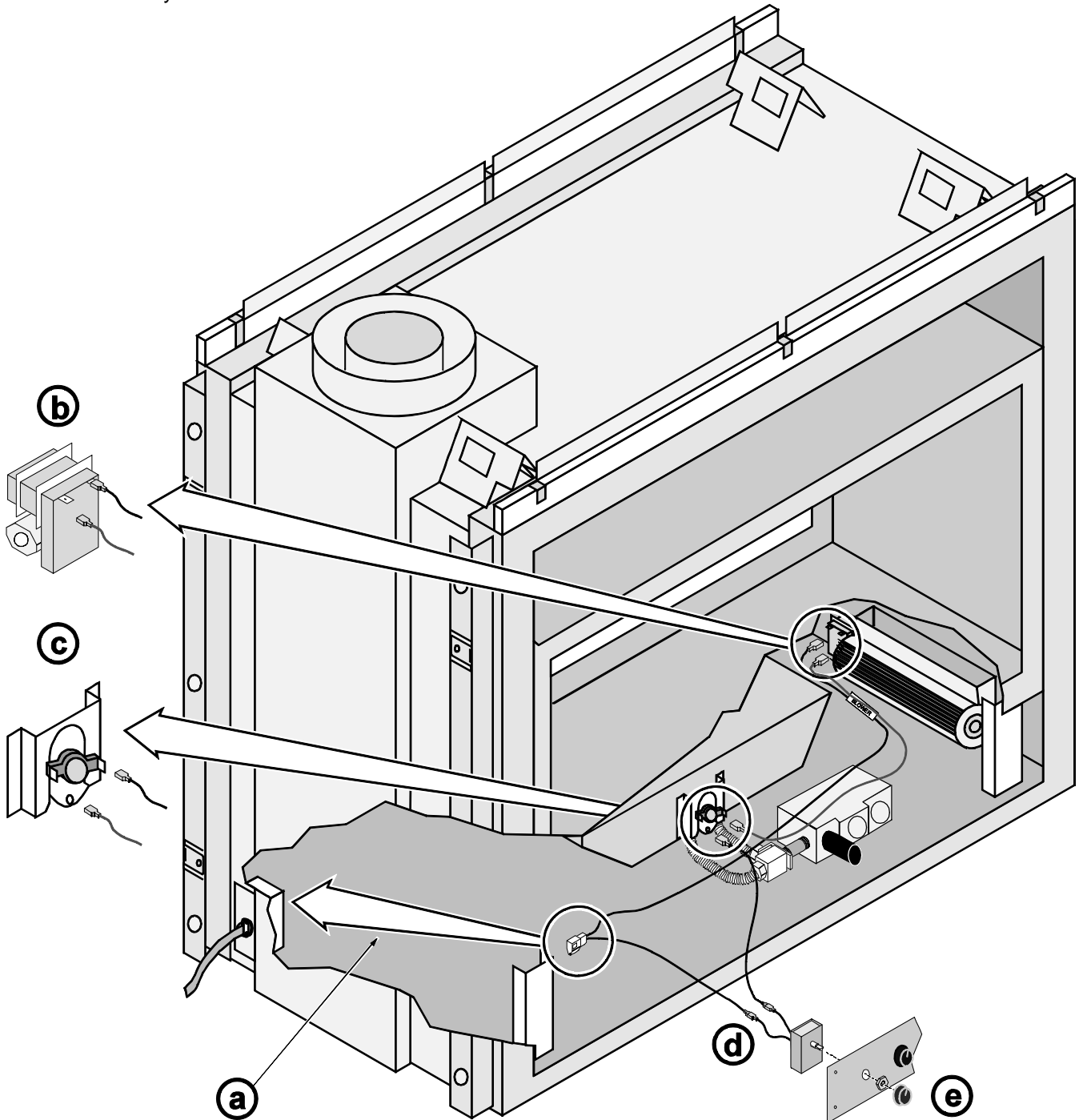


Figure 3



# 864ST GS Blower Installation Instructions

(sku 99000164)

## Special Instructions for GreenSmart™ Remote

If using the Greensmart™ remote, the power input (see Figure 3 “a”) will be attached to a power cord and connected to the Fan Controller. See the remote installation instructions for details.

***Bypassing the Rheostat*** - In addition, you will need to bypass the rheostat (the remote controls the blower). This is done by disconnecting and discarding the electrical line that leads from the snap disk to the rheostat (carefully remove the wire tie and “SNAP DISK” label from the wiring harness – see Figure 4 “a”). Attach the lead from the power input to the snap disk (see Figure 4 “b”).

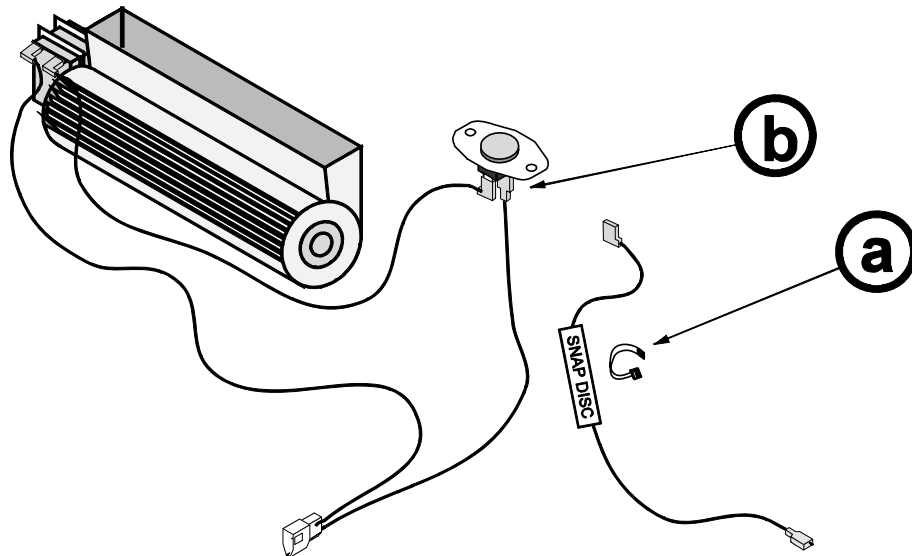


Figure 4

- 4 Replace the concealment covers and return the fireplace to the correct configuration.